

Shield of Safety

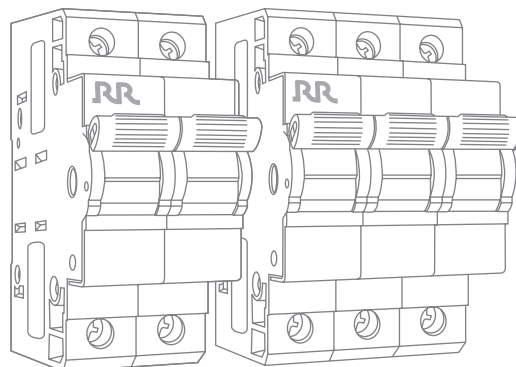


ABOUT US

RR Kabel Limited is one of the leading companies in the electrical sector offering products across categories including Wires & Cables, Fans, Lighting, Appliances, Wiring Devices and Switchgear. Our brand is known for quality, safety and trust. We have always strived to create products of the highest quality using latest innovative technology.

Our range of MCB, RCCB, Isolator, MCB Changeover & Distribution Board for both residential and commercial use are crafted with seamless precision and attention to detail adhering to the highest international safety standards, ensuring you get only the most efficient, reliable and long-lasting products at the most competitive prices.

Our Switchgear range complies with the latest IEC/IS standards and fully reinforces our commitment to environmental protection. It combines all the solutions for various requirements in one package, which makes it an 'All-in-one' solution.



INDEX

MINIATURE CIRCUIT BREAKER	01
RESIDUAL CURRENT CIRCUIT BREAKER	05
ISOLATOR	09
MCB CHANGEOVER	13
DISTRIBUTION BOARDS	17

MINIATURE CIRCUIT BREAKER

MCB

An MCB operates as an automatic switch that opens in the event of excessive current flowing through the circuit and once the circuit returns to normal, it can be reclosed without any manual replacement.



MINIATURE CIRCUIT BREAKER (MCB)

(IS/IEC 60898 – 1)

CONSTRUCTION

Miniature Circuit Breakers have precisely formed molded case & cover of flame-retardant high strength thermo-plastic material having high melting point, low water absorption, high dielectric strength and temperature with stand. The Switching Mechanism is independent, manual and trip free, i.e., the breaker trips internally even if the operating knob is held in ON position.

The Contact Mechanism comprises of fixed & moving contacts specially designed for reliability, long life and anti-weld properties. The Arc Extinguishing Device comprises of 12 plates arc chute. The arc under the influence of the magnetic field and arc guide is moved into the arc chute where it is rapidly split and quenched. The tripping mechanism is thermal magnetic type.

THERMAL OPERATION

The thermal operation provides protection from moderate overload. During a current overload, a thermo-metallic element (bimetallic strip) deflects until it operates a latching mechanism allow the main contacts to open.

MAGNETIC OPERATION

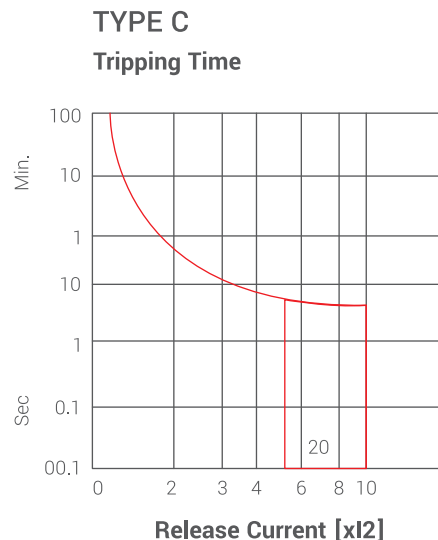
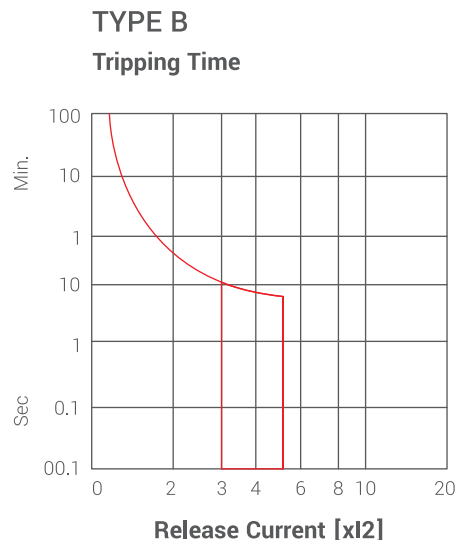
In a magnetic operation, large overloads or short circuit current actuates a solenoid causing a plunger to strike the latching mechanism rapidly opening the main contacts.

MCB CHARACTERISTICS CURVE

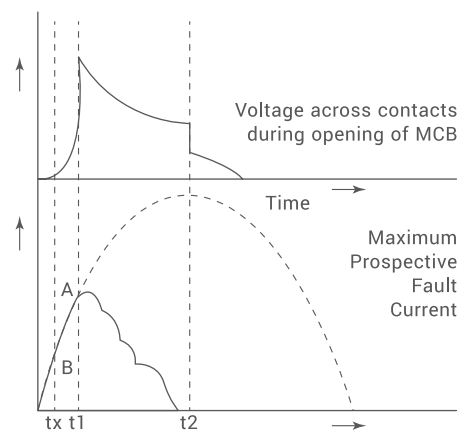
Type B characteristics curves

Type C characteristics curves

This Characteristics is the curve between Release Current and Tripping time.



THERMAL TRIPPING			MAGNETIC TRIPPING			
As Per	No Tripping	Tripping	Time	Hold	Trip	Time
IS/IEC	Current	Current	Limits	Current	Current	Limits
60898-1	I_{nt}	I_t	T	I_1	I_2	T
B-Curve	$1.13 \cdot I_n$		$\leq 1h$	$3 \cdot I_n$		$\leq 0.1s$
		$1.45 \cdot I_n$	$< 1h$		$5 \cdot I_n$	$< 0.1s$
C-Curve	$1.13 \cdot I_n$		$\leq 1h$	$5 \cdot I_n$		$\leq 0.1s$
		$1.45 \cdot I_n$	$< 1h$		$10 \cdot I_n$	$< 0.1s$
$I_3 = 2.55 I_n$	$1s < t < 60s$ for $I_n \leq 32A$					
	$1s < t < 120s$ for $I_n > 32A$					



	"B"	"C"
Standard Conformity	IS/IEC 60898-1	
No. of Pole	1P, 1P+N, 2P, 3P, 3P+N, 4P*	
Magnetic Release Setting	(3-5) I_n	(5-10) I_n
Method of Mounting	Clip on Din rail (35x7.5mm)	
Rated Operational Voltage	240/415V	
Rated Current	6 to 63A*	
Rated Frequency	50Hz	
Rated Short Circuit Capacity	10kA	
Max. Value of $I^2 t$ (Joule Integral)	125000	
Rated Insulation Voltage	660V	
Rated Impulse with stands Voltage	4kV	
Material Group	III a	
IP Category	IP20	
Ambient Temp.	-5° to $55^\circ C$	
Tightening Torque	2.Nm	
Dielectric Test Voltage	2.5kV	
Energy Limiting Class	3	
Vibration	3g	
Installation Position	Vertical/Horizontal	
Bi-connect Terminal	Both side	
Line & Load Terminal Capacity	25 mm ²	
Resistance to Shock	40mm free fall	

*CURRENT RATING

6A, 10A, 16A, 20A, 25A, 32A, 40A, 50A, 63A

*1P = Single Pole

*1P+N = Single Pole & Neutral

*2P = Double Pole

*3P = Three Pole

*3P+N = Three Pole & Neutral

*4P = Four Pole

MCB FEATURES



LARGE & DUAL TERMINALS

It can accommodate cables up to 25 sq.mm cross section area thus making it suitable for copper as well as Aluminium cables.



IP 20 PROTECTION

No accidental Contact/ Shock from live part during installation



MCB PADLOCK

A lockout or MCB padlock can prevent shocks or extreme injury that would result from someone prematurely reactivating a circuit.



ON/OFF INDICATION

Red & Green flag indication provided below the knob gives an indication of positive electrical ON/OFF contact status irrespective of the mounting or knob position even from a distance.



ENERGY LIMITING CLASS 3

Low let-through energy I^2t under short-circuit conditions ensures a longer life of contacts and reduces the thermal stresses in the distribution circuit.



BI-STABLE DIN CLIP

Easy Mounting and Strong hold on DIN Rail



AIR CIRCULATION

When two poles are placed adjacent to each other, these channels form a tunnel resulting in an effective air circulation around individual poles.



BREAKING CAPACITY

10 kA



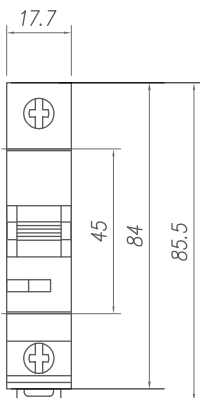
FIRE RETARDANT

Fire Retardant Body materials ensure extra safety

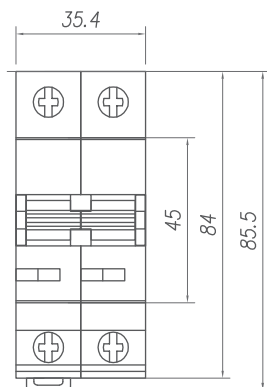


LOW POWER CONSUMPTION

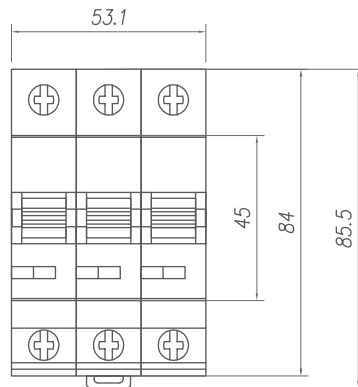
Cost effective and energy saving. The Watt loss of MCBs is extremely low providing valuable energy savings over its entire life cycle.



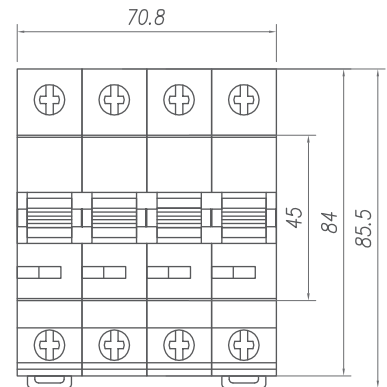
SP



DP/SPN



TP



FP/TPN

Dimensions in mm

RESIDUAL CURRENT CIRCUIT BREAKER RCCB

A residual-current device, or Residual Current Circuit Breaker, is a safety device that quickly breaks an electrical circuit to protect equipment and to reduce the risk of serious harm from an electric shock.



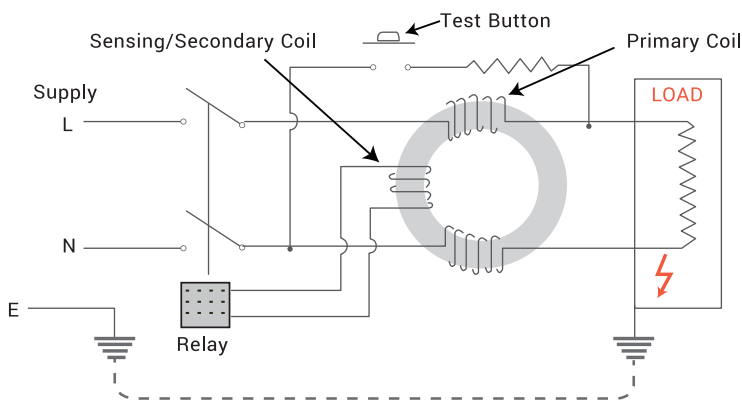
RESIDUAL CURRENT CIRCUIT BREAKER (RCCB)

(IS 12640-1 & IEC 61008-1)

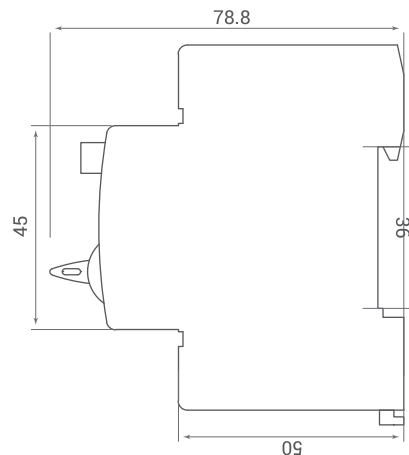
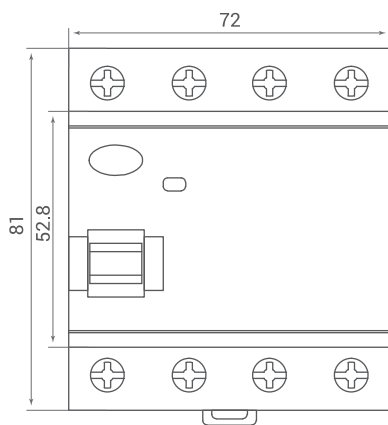
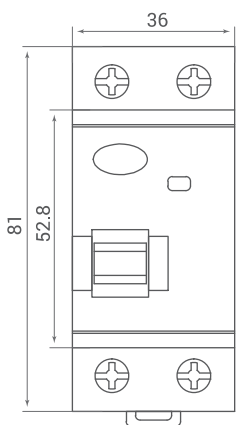
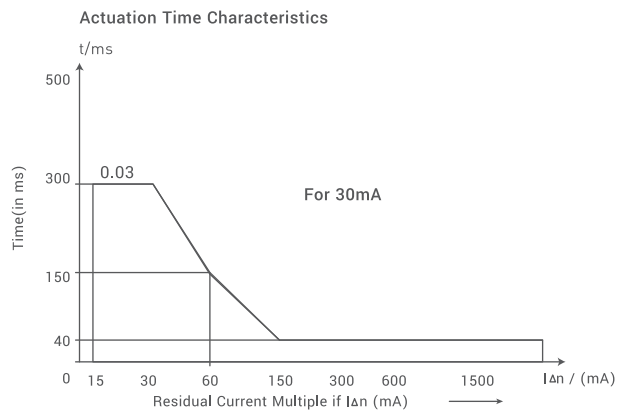
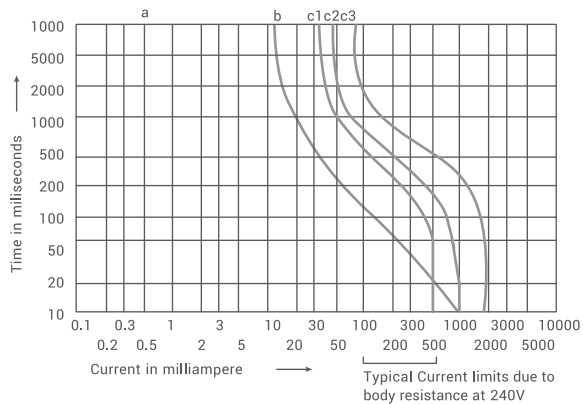
WORKING PRINCIPAL

RCCB works on the principle of Kirchhoff's law, which states that the incoming current must be equal to the outgoing current in a circuit. RCCB thus compares the difference in current values between live and neutral wires. Ideally, the current flowing to the circuit from the live wire should be the same as that flowing through the neutral wire. In case of a fault, the current from the neutral wire is reduced, the difference between the two is known as Residual Current. On spotting a Residual Current, the RCCB is triggered to trip off the circuit.

A test circuit included with the Residual Current device ensures that the reliability of RCCB is tested. When the test button is pushed, the current starts to flow through the test circuit. As it creates an imbalance on the neutral coil of the device, the RCCB trips and the supply is disconnected thereby checking RCCB's reliability.



	DP	FP
Standard Conformity	IS 12640-1/IEC 61008-1	
Protection	Leakage Current / Ground Fault	
Rated Current (In)	25A, 40A, 63A	
Rated Residual Current	30mA, 100mA, 300mA	
Rated Voltage	240V	415V
Tightening Torque	2Nm	
Breaking Capacity	6kA	
Frequency	50 Hz	
Rated Making Breaking Capacity	500A or 10 In whichever is Greater	
Terminal Capacity	25mm ²	
Terminal Protection	IP20	
Operating Temp	-5° C to +55° C	
Endurance Mechanical & Electrical Cycles	4000	
Method of Mounting	Clip on Din Rail (35 x 7.5 mm)	



RCCB DP, FP Dimensions in mm

RCCB FEATURES



LARGE TERMINATION
It can accommodate cables upto 25sq.mm cross section area thus making it suitable for copper as well as aluminum cables.



COMBI-HEAD SCREW
Ease of clamping or tightening the screw.



EASY DIN EXTRACTION
No dismantling of bus bar to remove RCCB – Unique mounting assembly allows to remove it without disturbing other devices



TEST BUTTON
To check the health of device periodically.



REAL TRIP INDICATION
It provides the real trip indication of fault occurred in the circuit.



FIRE RETARDANT
Fire Retardant Body materials ensure extra safety.



ISOLATOR

The isolator is a switch which isolates the part of the circuit system when it is required. Electrical isolators are the separate part of the system that is created for safe maintenance. Isolators are generally used at the end of the breaker to repair or to replace.

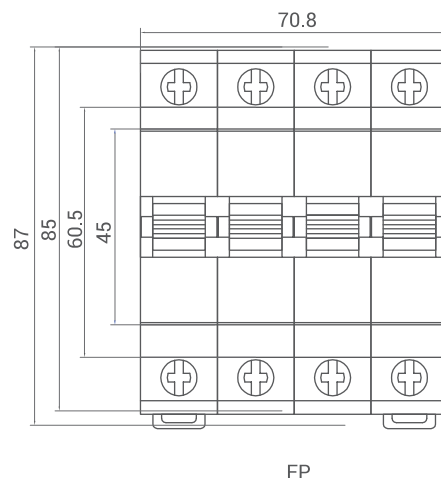
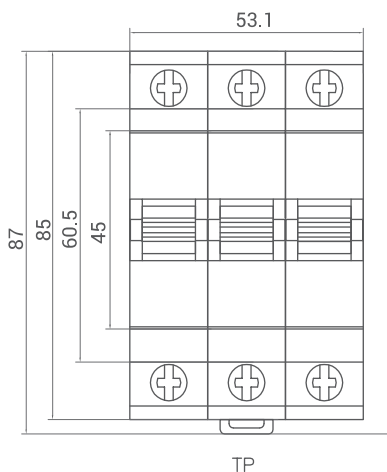
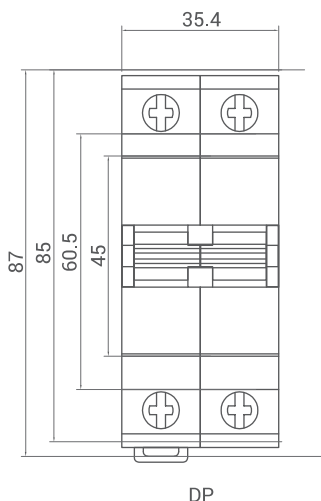
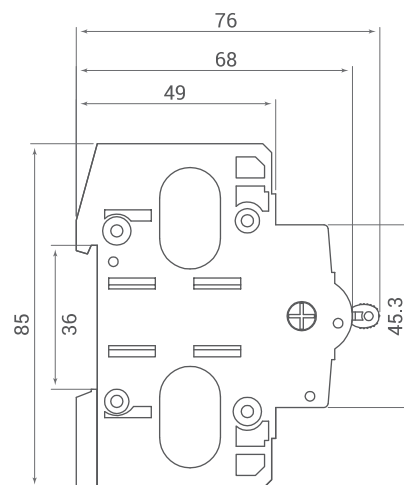


ISOLATOR

(IEC 60947 - 3)

TECHNICAL SPECIFICATION

PARAMETER	REMARKS
Standard Conformity	IS/IEC 60947-3
Rated Current (In)	40A, 63A, 100A
Rated Voltage (Ue)	240,415V
Rated Insulation Voltage (Ui)	660 V
Rated Impulse Voltage (Uimp)	4KV
Rated Frequency	50/60Hz
No. of Poles	DP, TP & FP
Degree of Protection	IP20
Terminal Tightening Torque	2 Nm
Storage Temp	-5° to 55°C
Vibration	3g
Endurance Mechanical & Electrical Cycles	10000
Utilization Category	AC 22A
Shock Test	40 mm free fall
Terminal Capacity	35mm ²
Installation Position	Vertical / Horizontal
Mounting	Clip on Din Rail (35mm * 7.5mm)



Dimensions in mm

ISOLATOR FEATURES



LARGE & DUAL TERMINALS

Suitable for copper and aluminum cables, these terminals are compatible with cables having cross-section area up to 35mm² compatible with cables having cross-section area up to 35 mm² enhancing safety and life of the device.



BI-STABLE DIN CLIP

Every device is provided with a dual position DIN rail clip, so it becomes much easier to change a device from a device bank connected to a bus-bar, without disturbing the existing wiring



IP 20 PROTECTION

No accidental Contact/ Shock from live part during installation



FIRE RETARDANT

Fire Retardant Body materials ensure extra safety



MCB CHANGEOVER

MCB Changeovers are designed to transfer a house or business unit electricity from the commercial power grid to a local generator when outage occurs. Also known as “transfer switches,” they connect directly to the generator, commercial power supply or line, and the house.



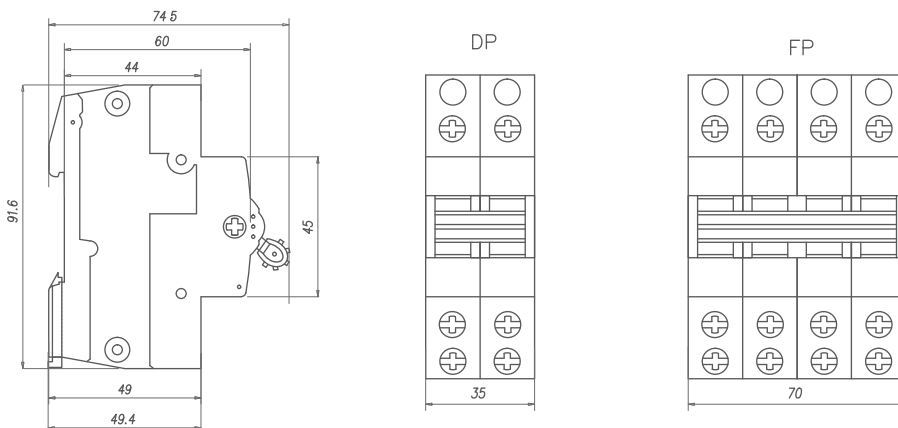
MCB CHANGEOVER

(IEC 60947-3)

TECHNICAL SPECIFICATION

PARAMETER	REMARKS
Standard Conformity	IS/IEC 60947-3
Rated Current (In)	25A, 40A, 63A
Rated Voltage (Ue)	240/415V
Rated Insulation Voltage (Ui)	660 V
Rated Impulse Voltage (Uimp)	4kV
Rated Frequency	50/60Hz
No. of Poles	DP, FP
Degree of Protection	IP20
Terminal Tightening Torque	2.5 Nm
Installation Position	Vertical / Horizontal
Dielectric Test Voltage	2.5KV
Storage Temp	-5°C to 55°C
Vibration	3g
Endurance Mechanical & Electrical Cycles	10000
Utilization Category	AC 22A
Terminal Capacity	25 sq. mm
Shock Resistance	40 mm free fall
Mounting	Clip on Din Rail (35mm * 7.5mm)

MCB CHANGEOVER Dimensions in mm

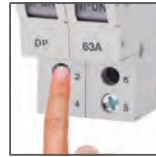


MCB CHANGEOVER FEATURES



LARGE CABLE TERMINALS

Suitable for copper and aluminum cables, these terminals are compatible with cable 10 mm² up to 40A/25mm² for 63A cross section area.



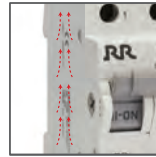
IP 20 PROTECTION

No accidental Contact/ Shock from live part during installation



CENTER POSITION ON/OFF

Front operation with three stable Position I-O-II where center position is OFF



COOLER OPERATION

Grooves provided on the outer body, so that when individual poles are placed adjacent to each other in a distribution board it forms a very effective channel for better air circulation, resulting into a cooler operation



FIRE RETARDANT

Fire Retardant Body materials ensure extra safety



DISTRIBUTION BOARDS

Distribution Board is an equipment which consists of busbars, possible switches, fuse links and automatic protective equipment, for connecting, controlling and protecting a number of branch circuits fed from one main circuit of a wiring installation in a building or premises.



DISTRIBUTION BOARD (DB)

(IEC 61439-3 / IS 13032 / IS 8623-3)

A Distribution Board (also known as panel board, breaker panel, or electric panel) is a component of an electricity supply system that divides an electrical power feed into subsidiary circuits while providing a protective fuse or circuit breaker for each circuit in a common enclosure.

DB'S UNIQUE FEATURES



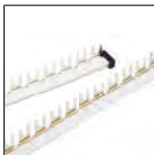
DOUBLE MOUNTING KEY HOLES

DB is provided with key holes for flush as well as surface mounting.



DOOR EARTHING

Door earthing makes the entire DB totally shock Proof.



INSULATED COPPER BUS BAR

All the DBs have this facility for quick & easy installation for rating.



RAISED EARTH/ NEUTRAL LINK

High quality brass neutral and earth links to prevent temperature rise and promote safe operation



LOCKING KNOB

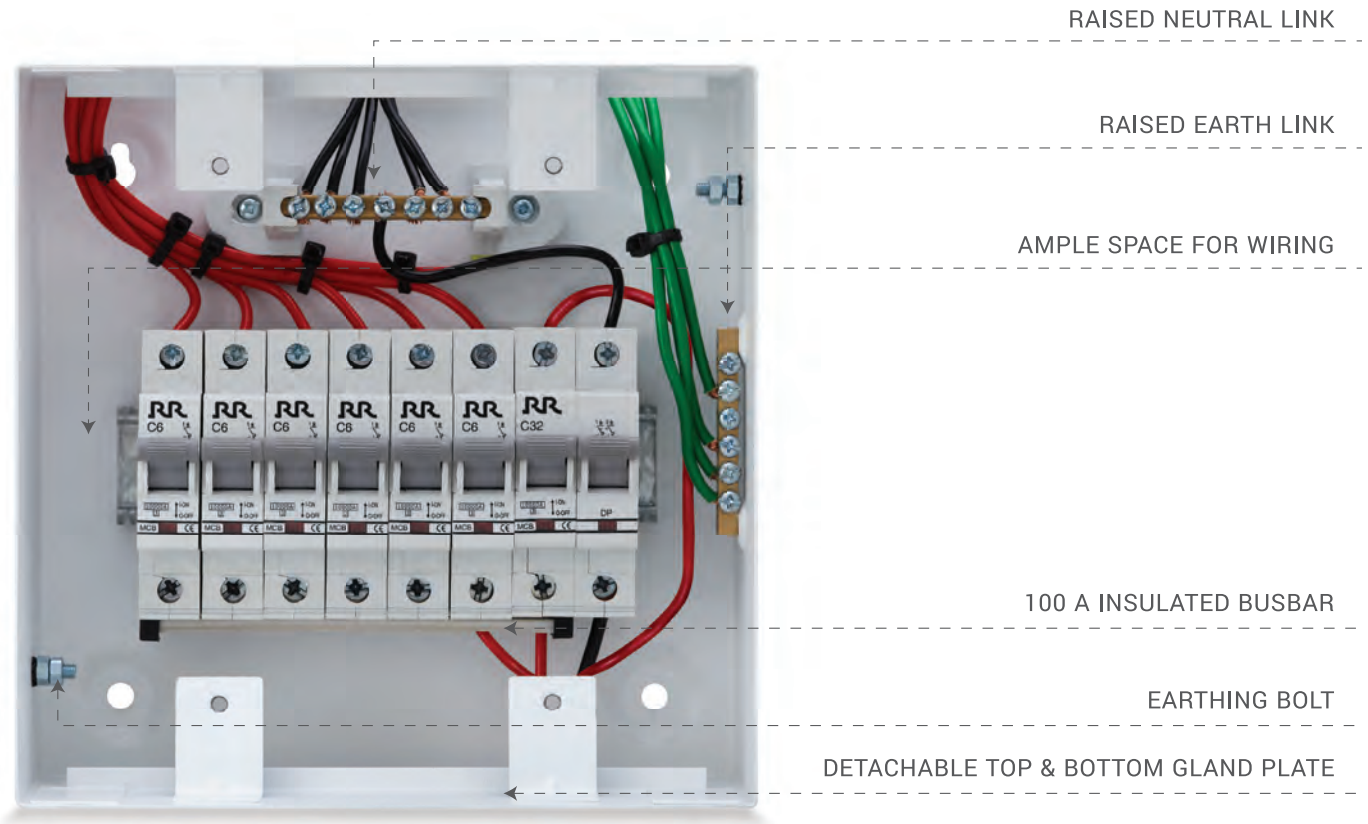
Smooth and easy to operate door opening and closing with aesthetically designed knob



DETACHABLE GLAND PLATE

Top & Bottom suitable for the connection

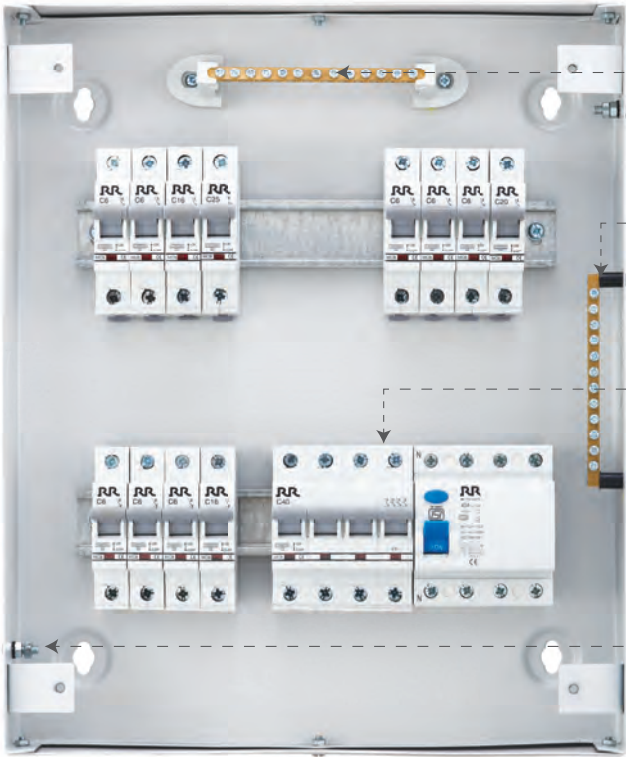
SPN DISTRIBUTION BOARD - SINGLE DOOR



ISOMETRIC VIEW



TPN DISTRIBUTION BOARD - SINGLE DOOR



RAISED NEUTRAL LINK
FOR EASE OF WIRING

RAISED EARTH LINK

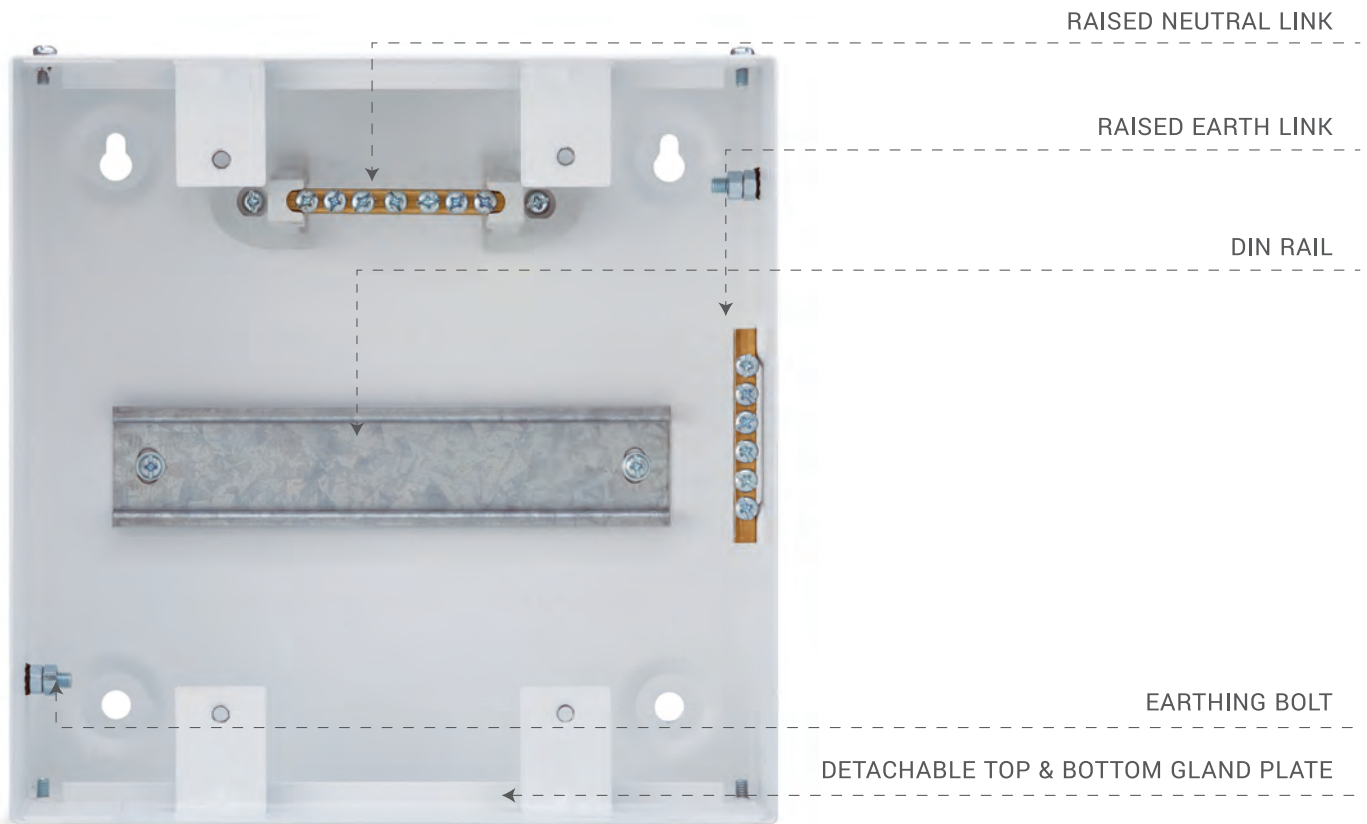
8 POLE INCOMER, SO THAT
(MCB + RCCB) OR
RCBO CAN BE EASILY
INSTALLED AS INCOMER

EARTH MAKING & EARTH BOLT

ISOMETRIC VIEW



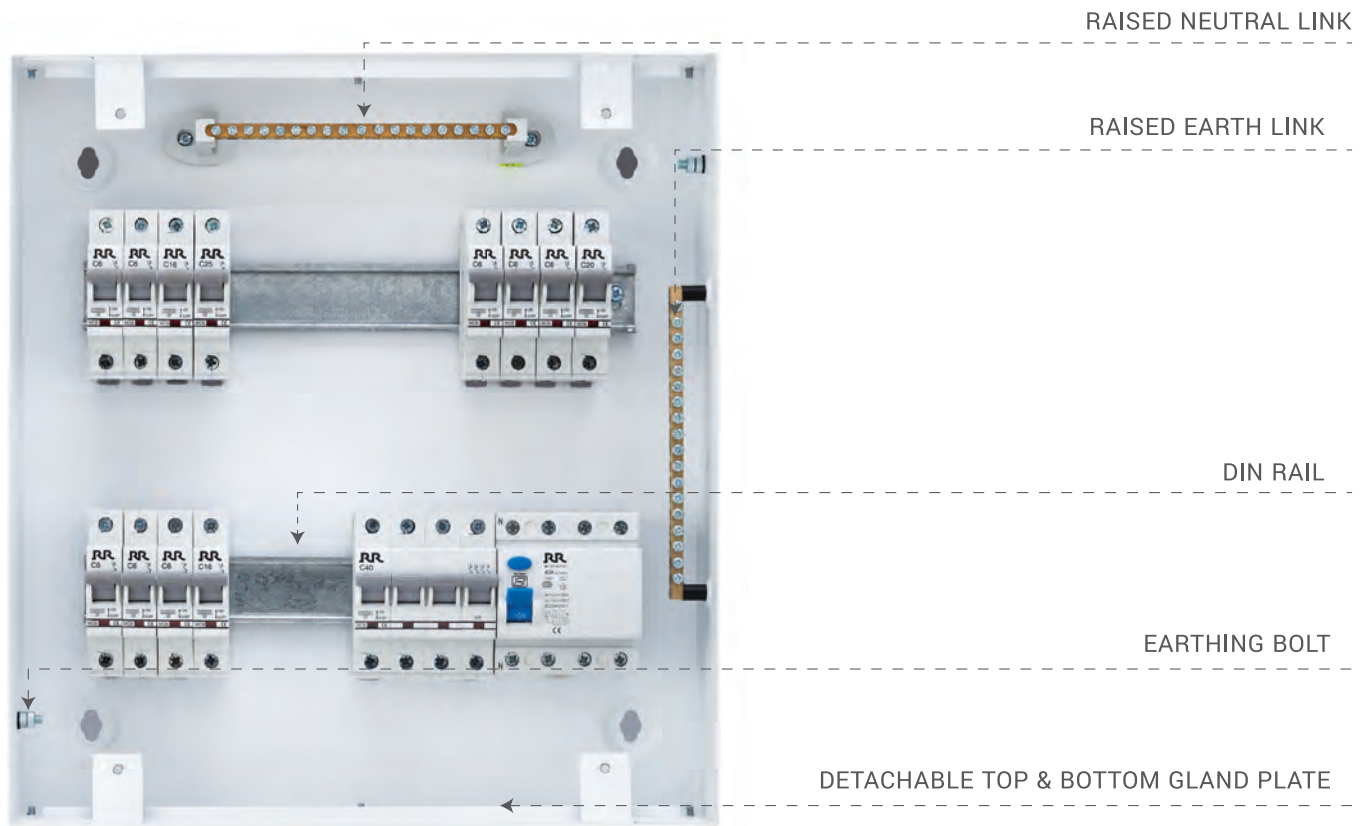
SPN DISTRIBUTION BOARD - DOUBLE DOOR



ISOMETRIC VIEW



TPN DISTRIBUTION BOARD - DOUBLE DOOR



ISOMETRIC VIEW



SPN SD DB



RANGE

SPN – 4, 6, 8,12 & 16 W

COLOR

Midas Grey

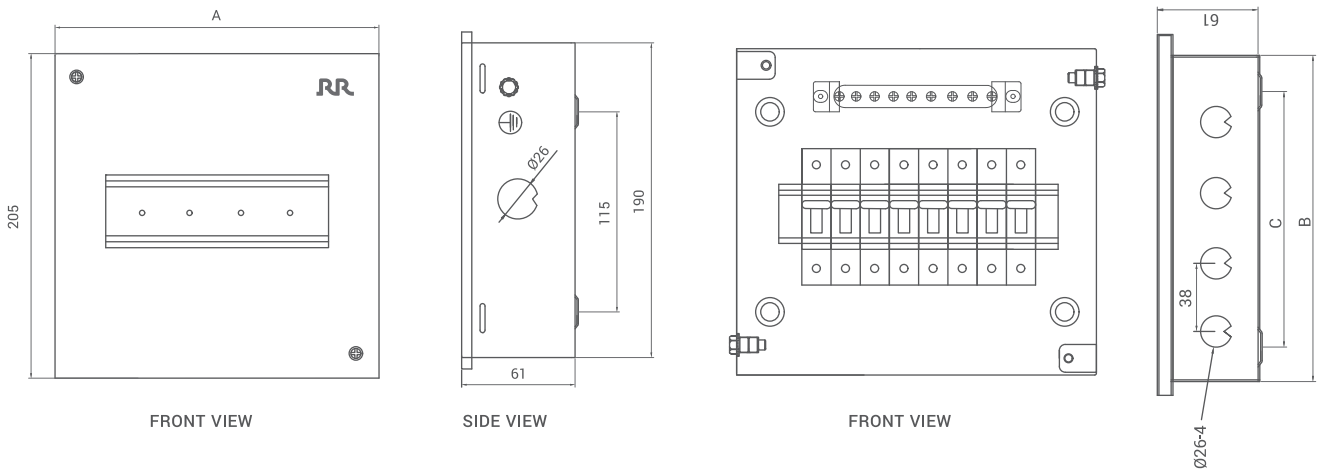
SPECIFICATION

IEC 61439 - 3, IS:13032 & IS:8623

FEATURES

- IP30 Protection
- Insulated Copper Busbar
- Double Mounting key holes
- CRCA sheet steel
- Raised Earth/ Neutral link

SPN SD DB Dimensions (in mm)



WAY	A	B	C	D	NEUTRAL LINK	BUSBAR	TOP/BOTTOM K' OUT	
							EACH SIDE K' OUT	
4	154	139	89	72	5 CON.	4	Ø26-3	Ø26-1
6	190	175	125	108	7 CON.	6	Ø26-3	Ø26-1
8	225	209	160	144	9 CON.	8	Ø26-4	Ø26-1
12	296	281	232	216	13 CON.	12	Ø26-6	Ø26-1
16	368	368	353	288	17 CON.	16	Ø26-8	Ø26-1

TPN SD DB



RANGE

TPN – 4, 6, 8 & 12W

COLOR

Midas Grey

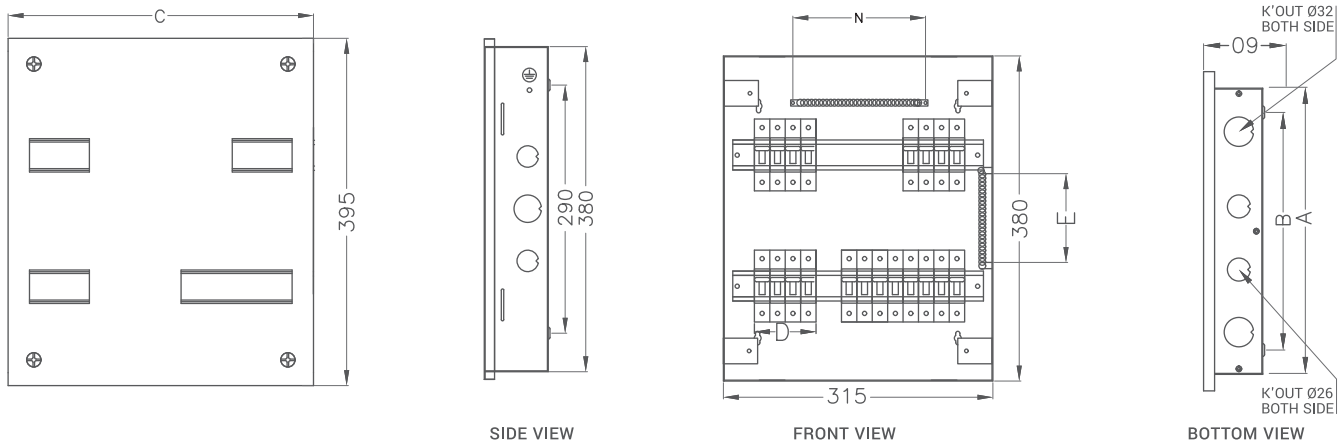
SPECIFICATION

IEC 61439-3, IS:13032 & IS:8623

FEATURES

- IP 30 Protection
- Insulated copper Busbar
- Double mounting key holes
- CRCA sheet steel
- Raised Earth/ Neutral link
- Wiring Kit

TPN SD DB Dimensions (in mm)



WAY	A	B	C	D	E	NEUTRAL LINK	EARTHING LINK	BUSBAR	TOP/BOTTOM K' OUT		L & R Side K' OUT	
									Ø26	Ø32	Ø26	Ø32
4	315	245	330	72	101	13 Con.	12 Con.	4WAY-3X	2 Nos.	2 Nos.	2 Nos.	1 Nos.
6	350	280	366	108	149	19 Con.	18 Con.	6WAY-3X	3 Nos.	2 Nos.	2 Nos.	1 Nos.
8	400	340	415	144	101(2Nos)	13 Con. 2 Nos	12 Con. 2 Nos	8WAY-3X	4 Nos.	2 Nos.	2 Nos.	1 Nos.
12	560	490	575	216	149(2Nos)	19 Con. 2 Nos	18 Con. 2 Nos	12WAY-3X	6 Nos.	2 Nos.	2 Nos.	1 Nos.

SPN DD DB BASE LINE



RANGE

SPN – 6, 8, 12 & 16 W

COLOR

Midas Grey

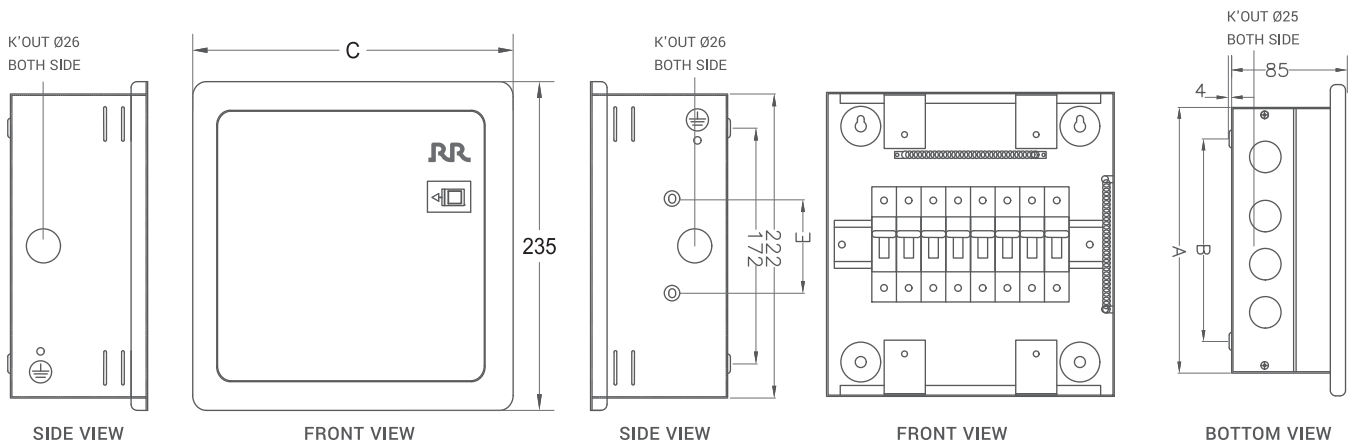
SPECIFICATION

IEC 61439-3, IS:13032 & IS:8623

FEATURES

- IP42 Protection
- Insulated copper Busbar
- Double Mounting key holes
- CRCA sheet steel
- Locking Knob
- Detachable Gland Plate (Top & Bottom)
- Raised Earth/ Neutral link

SPN DD DB Base Line Dimensions in mm



WAY	A	B	C	D	NEUTRAL LINK	BUSBAR	TOP/BOTTOM K' OUT	
							EACH SIDE K' OUT	
4	139	89	151	72	5 CON.	4	Ø26-3	Ø26-1
6	175	125	187	108	9 CON.	6	Ø26-3	Ø26-1
8	210	160	222	144	9 CON.	8	Ø26-4	Ø26-1
10	247	197	260	216	13 CON.	12	Ø26-5	Ø26-1
12	281	231	295	288	17 CON.	16	Ø26-6	Ø26-1
14	317	267	328	216	13 CON.	12	Ø26-7	Ø26-1
16	354	304	367	288	17 CON.	16	Ø26-9	Ø26-1

TPN DD DB BASE LINE



RANGE

TPN – 4,6, 8 & 12 W

COLOR

Midas Grey

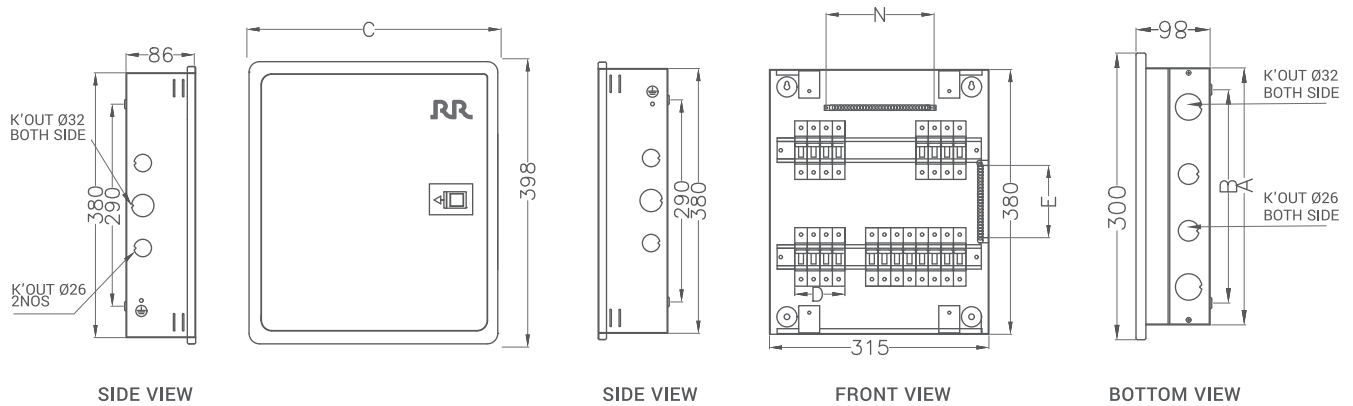
SPECIFICATION

IEC 61439-3, IS:13032 & IS:8623

FEATURES

- IP 42 Protection
- Insulated copper Busbar
- Double mounting key holes
- Door Earthing
- CRCA sheet steel
- Locking Knob
- Detachable Gland Plate (Top & Bottom)
- Raised Earth/ Neutral link
- Wiring kit

TPN DD DB Base Line Dimensions (in mm)



WAY	A	B	C	D	E	NEUTRAL LINK	EARTHING LINK	BUSBAR	TOP/BOTTOM K' OUT		L & R Side K' OUT	
									Ø26	Ø32	Ø26	Ø32
4	315	245	334	72	101	13 Con.	12 Con.	4WAY-3X	2 Nos.	2 Nos.	2 Nos.	1 Nos.
6	350	280	370	108	149	19 Con.	18 Con.	6WAY-3X	3 Nos.	2 Nos.	2 Nos.	1 Nos.
8	400	340	419	144	101(2Nos)	13 Con. 2 Nos	12 Con. 2 Nos	8WAY-3X	4 Nos.	2 Nos.	2 Nos.	1 Nos.
12	560	490	579	216	149(2Nos)	19 Con. 2 Nos	18 Con. 2 Nos	12WAY-3X	6 Nos.	2 Nos.	2 Nos.	1 Nos.

SPN DD DB PLASTIC SIDE CHANNEL



RANGE

SPN – 6, 8,10,14 & 16 W

COLOR

Pretty White

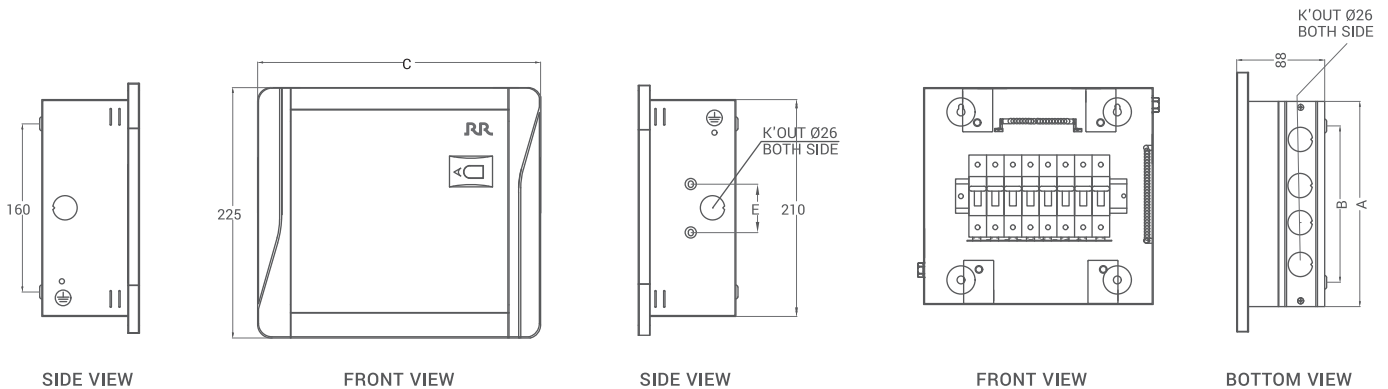
SPECIFICATION

IEC 61439-3, IS:13032 & IS:8623

FEATURES

- IP 42 Protection
- Insulated copper Busbar
- Double mounting key holes
- Door Earthing
- CRCA sheet steel
- Locking Knob
- Detachable Gland Plate (Top & Bottom)
- Raised Earth/ Neutral link

SPN DD DB Plastic Side Channel Dimensions (in mm)



WAY	A	B	C	NEUTRAL LINK	EARTHING LINK	BUSBAR	TOP/BOTTOM K' OUT
2+4	175	125	204	5 Con.	4 Con.	5 Con.	3 Nos.
2+6	210	160	240	7 Con.	6 Con.	7 Con.	4 Nos.
2+8	247	197	276	13 Con.	12 Con.	11 Con.	5 Nos.
2+12	319	269	348	17 Con.	16 Con.	13 Con.	6 Nos.
2+14	354	304	348	17 Con.	16 Con.	15 Con.	8 Nos.

TPN DD DB PLASTIC SIDE CHANNEL



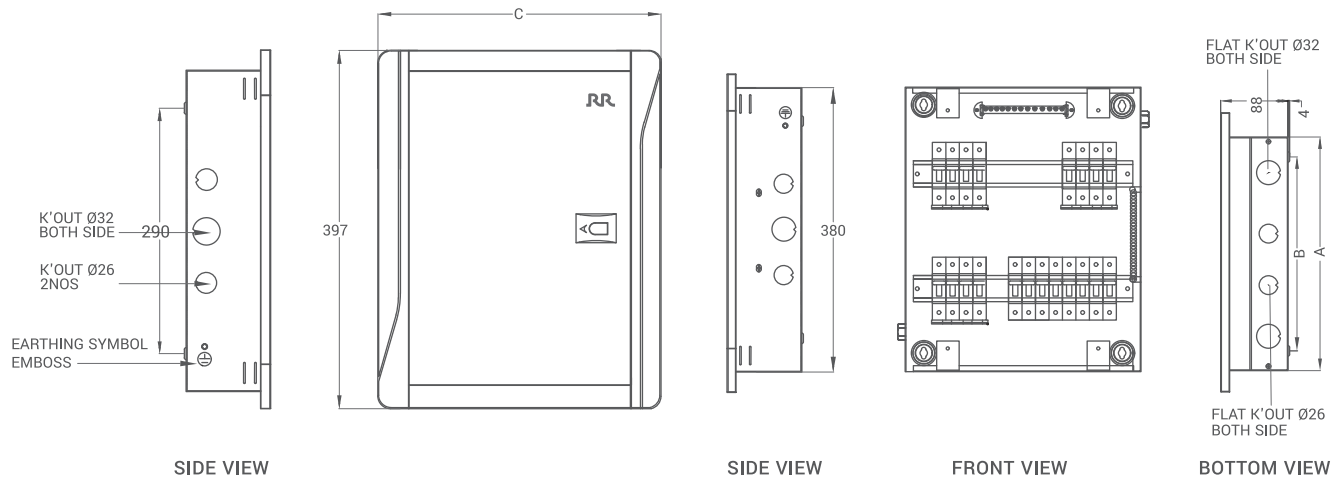
RANGE
TPN – 4, 6,8 & 12 W

COLOR
Pretty White

SPECIFICATION
IEC 61439-3, IS:13032 & IS:8623

- FEATURES**
- IP 42 Protection
 - Insulated copper Busbar
 - Double mounting key holes
 - Door Earthing
 - CRCA sheet steel
 - Locking Knob
 - Detachable Gland Plate (Top & Bottom)
 - Raised Earth/ Neutral link
 - Wiring kit

TPN DD DB Plastic Side Channel Dimensions (in mm)



WAY	A	B	C	NEUTRAL LINK	EARTHING LINK	BUSBAR	TOP/BOTTOM K' OUT EACH SIDE K' OUT
4	315	245	346	13 Con.	12 Con.	4 Way - 3x	Ø26 - 2 Nos. Ø32 - 2 Nos.
6	350	280	382	19 Con.	18 Con.	6 Way - 3x	Ø26 - 33 Nos. Ø32 - 2 Nos.
8	400	340	431	13 Con. 2 Nos.	12 Con. 2 Nos.	8 Way - 3x	Ø26 - 34 Nos. Ø32 - 2 Nos.
12	560	490	591	19 CON. 2 Nos.	18 Con. 2 Nos.	12 Way - 3x	Ø26 - 36 Nos. Ø32 - 2 Nos.

TPN PHASE SELECTOR DD DB



RANGE

TPN – 4, 6,8 & 12 W

COLOR

Midas Grey

SPECIFICATION

IEC 61439-3, IS:13032 & IS:8623

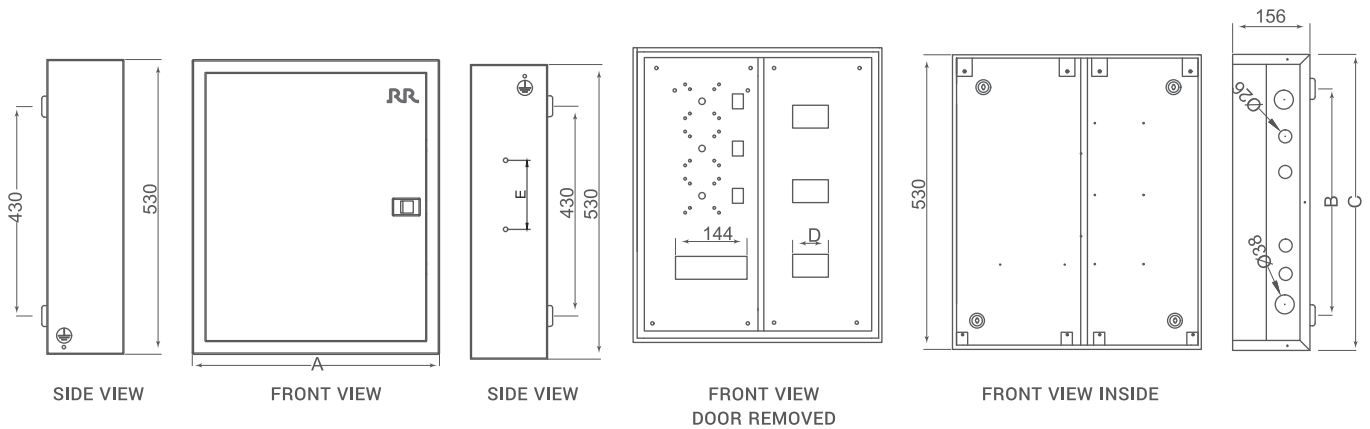
RATING

40A & 63A

FEATURES

- IP42 Protection
- Insulated copper Busbar
- Double mounting key holes
- Door Earthing
- CRCA sheet steel
- Locking Knob
- Detachable Gland Plate (Top & Bottom)
- Raised Earth/neutral link
- Wiring kit

TPN PHASE SELECTOR Dimensions (in mm)



WAY	A	B	C	D	E	NEUTRAL LINK	EARTHING LINK	TOP/BOTTOM K' OUT	
								Ø26	Ø38
4	413	290	392	72	101	15 Con.	12 Con.	4 Nos.	2 Nos.
6	449	330	428	108	149	19 Con.	18 Con.	4 Nos.	2 Nos.
8	485	362	464	144	101(2Nos)	15 Con. 2 Nos	12 Con. 2 Nos	4 Nos.	2 Nos.
12	557	439	536	216	149(2Nos)	19 Con. 2 Nos	18 Con. 2 Nos	4 Nos.	2 Nos.

AC BOX

PLUG & SOCKET DISTRIBUTION BOARD



RANGE
SP & DP

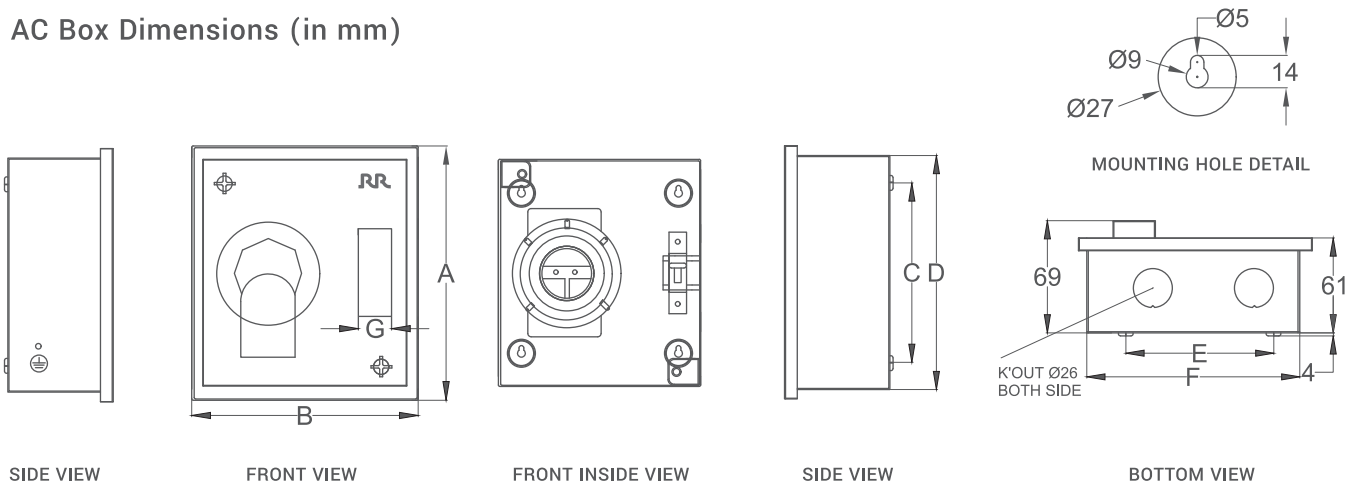
COLOR
Light Grey

SPECIFICATION
IEC 61439-3, IS:13032 & IS:8623

RATING
20A

- FEATURES
- Compact size
 - Neutral & earth terminals
 - Provision to MCBs / RCCBs
 - IP 30 Protection
 - Material CRCA Sheet Metal Steel
 - Plug & Socket Ways

AC Box Dimensions (in mm)



SIDE VIEW

FRONT VIEW

FRONT INSIDE VIEW

SIDE VIEW

BOTTOM VIEW

ITEM NAME	A	B	C	D	E	F	TOP/BOTTOM K' OUT $\varnothing 26$
AC BOX SP	169	140	105	153	124	18	2 Nos.
AC BOX DP	169	140	105	153	124	36	2 Nos.

AC BOX



RANGE
TP

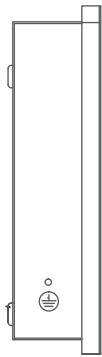
COLOR
Light Grey

SPECIFICATION
IEC 61439-3, IS:13032 & IS:8623

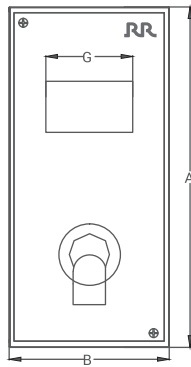
RATING
20A & 30A

- FEATURES**
- Compact size
 - Neutral & Earth Terminals
 - Provision to MCBs / RCCBs
 - IP30 Protection
 - Material CRCA Sheet Metal Steel
 - Plug & Socket Ways

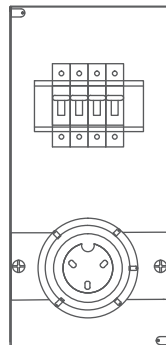
AC Box Dimensions (in mm)



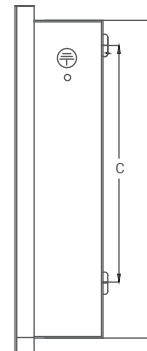
SIDE VIEW



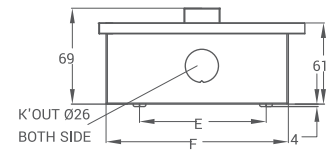
FRONT VIEW



FRONT INSIDE VIEW



SIDE VIEW



BOTTOM VIEW

ITEM NAME	A	B	C	D	E	F	G	TOP/BOTTOM K' OUT Ø26
AC BOX TPN 20	290	130	234	279	73	114	72	1 Nos.
AC BOX TPN 30	290	130	234	279	73	114	72	1 Nos.

METAL ENCLOSURE



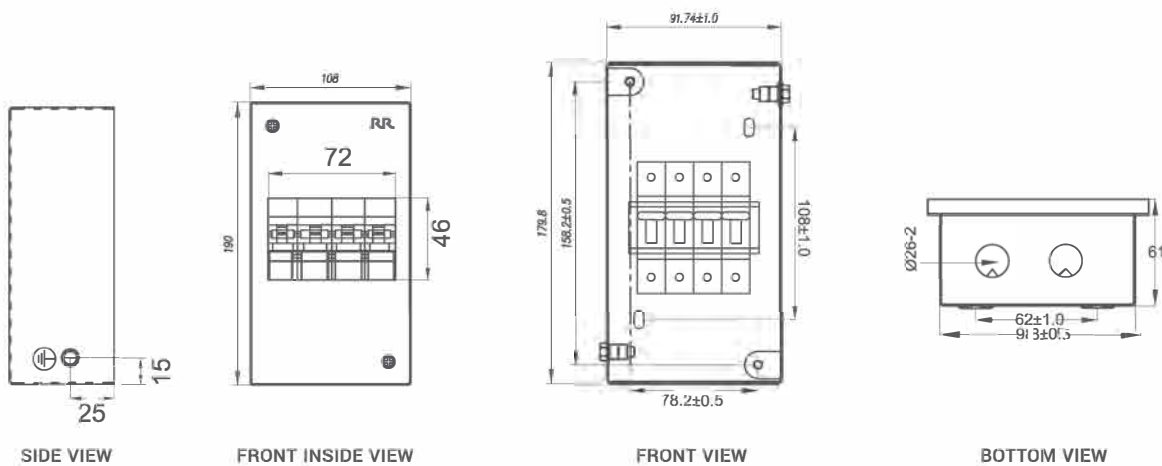
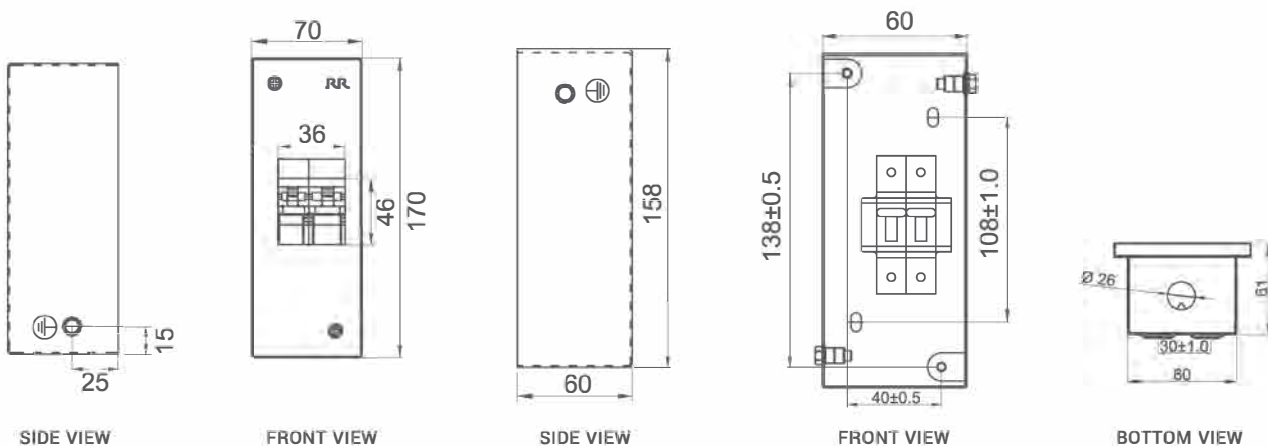
RANGE
DP & FP

COLOR
Pretty White

SPECIFICATION
IEC 61439-3, IS:13032 & IS:8623

- FEATURES**
- Suitable for Surface Mounting
 - Enclosures for independent cutoff / connection of the electrical appliances
 - IP30 Protection
 - Material CRCA Sheet Steel
 - Finish – Powder Coating

METAL ENCLOSURE Dimensions (in mm)



PLASTIC ENCLOSURE



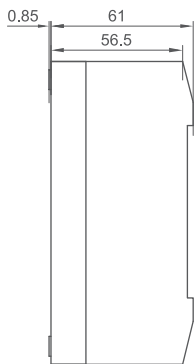
RANGE
DP & FP

COLOR
White PC

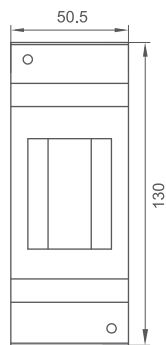
SPECIFICATION
IEC 61439-3, IS:13032 & IS:8623

- FEATURES
- Suitable for Surface Mounting
 - Enclosures for independent cutoff / connection of the electrical appliances
 - IP 30 Protection

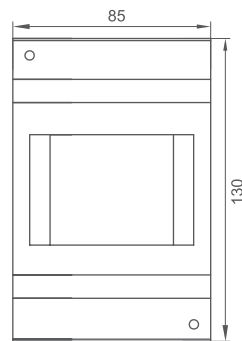
PLASTIC ENCLOSURE Dimensions (in mm)



SIDE VIEW



FRONT VIEW



FRONT VIEW

RR PC DISTRIBUTION BOARD



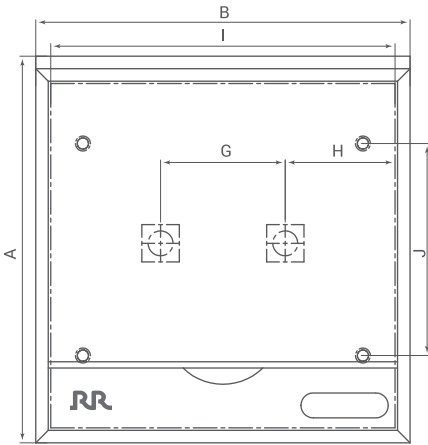
RANGE
SPN 4, 6 & 10W

COLOR
White

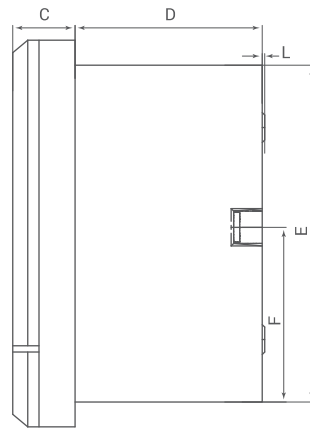
SPECIFICATION
IEC 61439-3, IS:13032 & IS:8623

- FEATURES**
- IP42 Protection
 - Insulated copper Busbar
 - Double mounting key holes
 - Raised neutral link

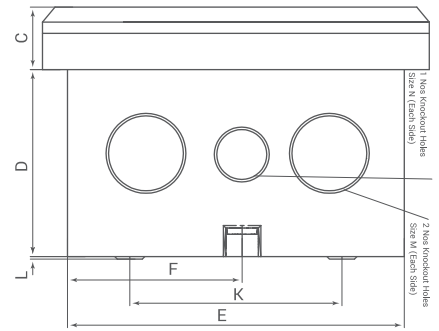
RR PC DISTRIBUTION BOARD Dimensions (in mm)



FRONT VIEW



SIDE VIEW



BOTTOM VIEW

DIMENSIONS (in mm)														
WAY	A	B	C	D	E	F	G	H	I	J	K	L	M	N
4	170	150	25.5	69	159.5	77.5	32	53.5	139.5	109.75	88	1	-	23
6	210	178	25.5	69	200	98	49.5	58.5	167.5	149.5	119.5	1	28	28
10	210	250	25.5	69	200	98	105.5	67	239	149.5	169.5	1	28	23

ON LOAD CHANGE OVER



RANGE

63A,100A,125A,160A, 200A, 250A, 320A, 400A & 630A

COLOR

Midas Grey

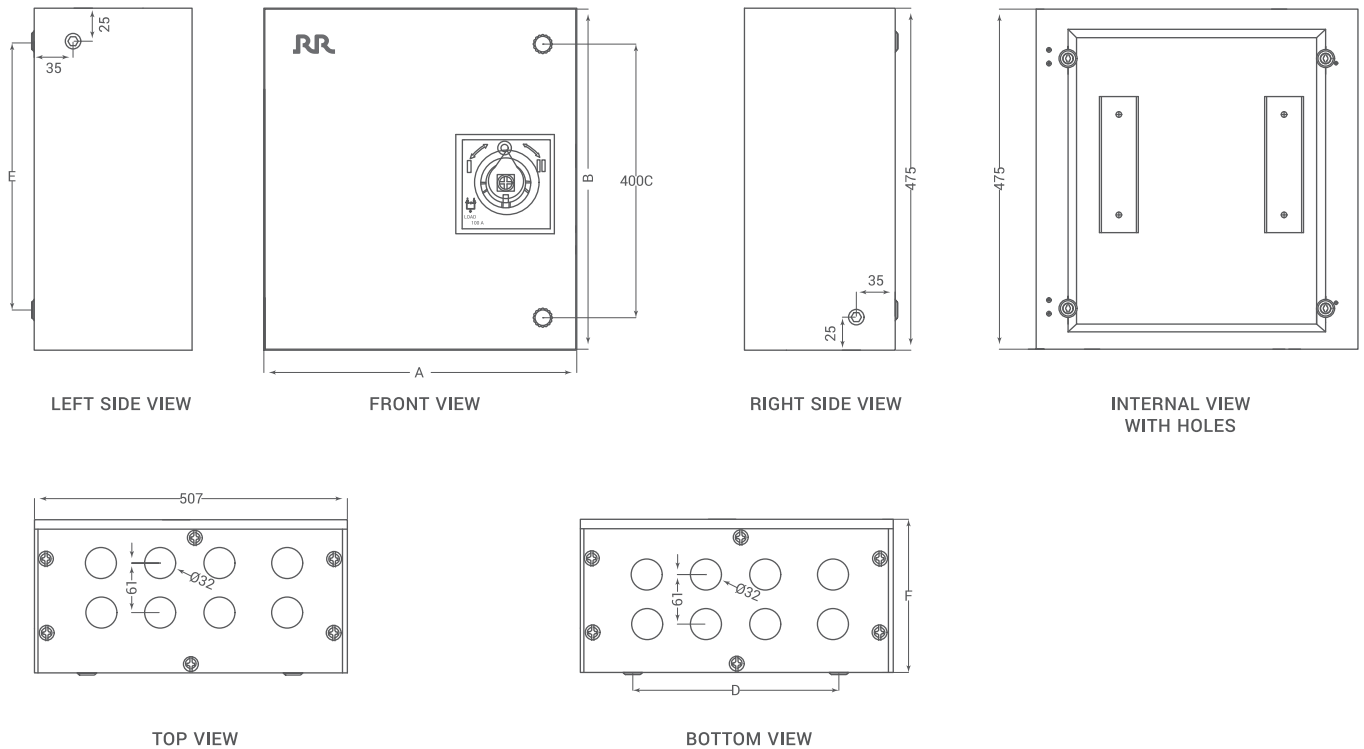
SPECIFICATION

IEC 60947-3

FEATURES

- Suitable for On Load application
- Suitable for individual mounting, inner mounting holes and mounting brackets provided in enclosures
- Allows flexibility of Cable Choice since suitable for both Cu & Al Cable
- Protects from rusting thereby lending longer life.
- Sheet steel enclosure

ON LOAD CHANGEOVER Dimensions (in mm)



OFF LOAD CHANGE OVER



RANGE

32A(DP)

32A, 63A, 100A, 200A, 320A, 400A, 630A (FP)

COLOR

Midas Grey

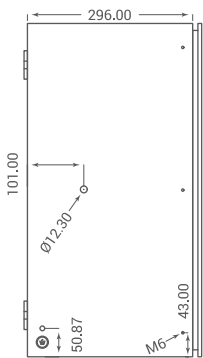
SPECIFICATION

IEC 60947-3

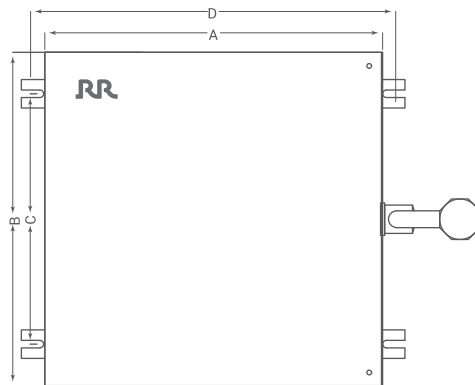
FEATURES

- Suitable for OFF Load application
- Suitable for individual mounting, inner mounting holes and mounting brackets provided in enclosures
- Allows flexibility of Cable Choice since suitable for both Cu & Al Cable
- Protects from rusting thereby lending longer life.
- Sheet steel enclosure

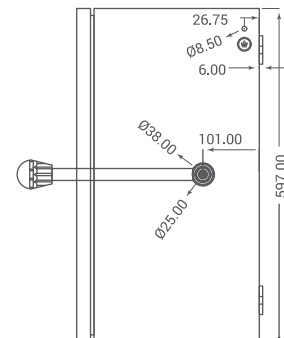
OFF LOAD CHANGEOVER Dimensions (in mm)



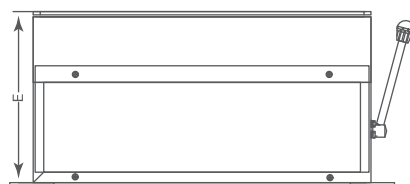
LEFT SIDE VIEW



FRONT VIEW

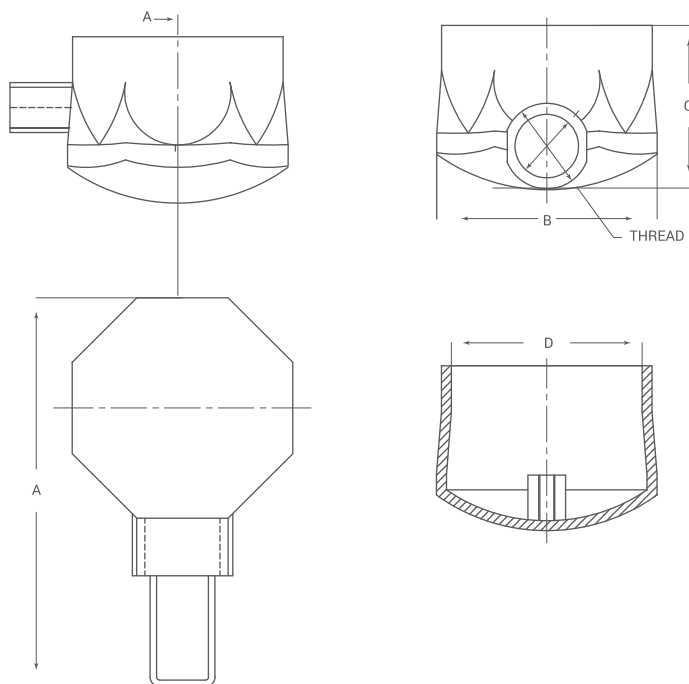


RIGHT SIDE VIEW



BOTTOM VIEW

PLUG AND SOCKET



ITEM	DIMENSIONS (in mm)			
	A	B	C	D
SP-10	78	42	38	36
SP-20	88	47	43	42
TP-20	100	56	45	48
TP-30	111	68	64	58

RATING	PIN (P+N+E)
20A	2 Pin (P+N)
20A	3 Pin (P+N+E)
30A	3 Pin (P+N+E)



Ram Ratna House, Utopia City, P. B. Marg, Worli, Mumbai - 400 013.

T: +91 - 22 - 2494 9009 / 2492 4144 • **F:** +91 - 22 - 2491 2586 • **E:** mumbai.rrkabel@rrglobal.com

Alembic Business Park (W), Ground Floor, Bhailal Amin Marg, Gorwa, Vadodara - 390 003

T: +91-265-6830 800 • **E:** vadodara.rrkabel@rrglobal.com

R R KABEL LIMITED

Regd. Office : Ram Ratna House, Utopia City, P. B. Marg, Worli, Mumbai - 400 013.

Ahmedabad: 079 - 4900 0100, **Bengaluru:** 080 - 4125 0079 / 4090 2221, **Bhubaneswar:** 9776 060 012,
Chennai: 044 - 2829 2329 / 2429, **Coimbatore:** 9025 168 457, **Guwahati:** 0361 - 2730 772,
Indore: 0731 - 3515 577, **Jaipur:** 0141 - 2741417, **Jalandhar:** 0181 - 2910 637, **Ernakulam:** 0484 - 2378 783,
Kolkata: 033 - 6607 1233, **Lucknow:** 0522 - 3516 188/89, **Madurai:** 0452 - 4370 340,
New Delhi: 0124 - 6549100, **Pune:** 8956 811 100, **Raipur:** 0771 - 4051 518,
Rajkot: 0932 7722 501, **Secunderabad:** 040 - 2780 4098, **Silvassa:** 0260 - 2641 333,
Sonipat: 0130 - 2986 986, **Surat:** 9376 507 543, **Trichy:** 0431 - 4540 363

www.rrglobal.com |     YouTube

Incase of Complaint contact Customer Care : customercare.wd@rrglobal.com or Call:1800 1036 633

RoHS = Restriction of Hazardous Substances | CE = Conformite Europeenne
ISI = Indian Standard Institution